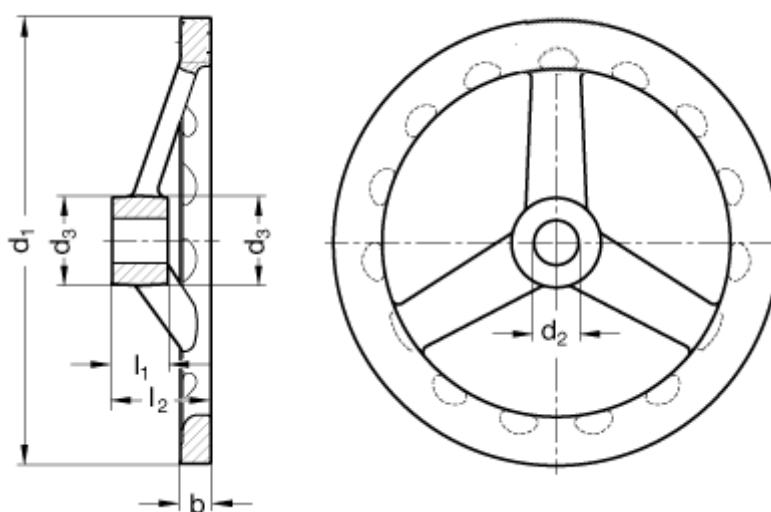


# Data Sheet



Article number: 201055300  
Description: E+G Handwheel  
GN 949-125-B14-A

## Measures



A/F = 9

b = 9

d1 = 125

d2 = 14

d3 = 24

l1 = 16

l2 = 28,5

l3 = 55

Number of spokes = 3